

EUGENE LED

High-output IP65 LED high-bay fitting



APPLICATIONS

- Industrial production areas
- Process industry
- Food processing plants

SPECIFICATION

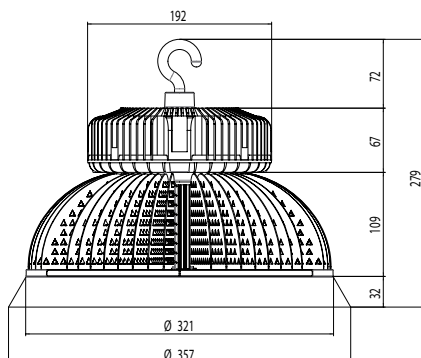
- 6 Epistar LED clusters behind individual acrylic lenses
- CRI >.8
- CCT 4,600K
- Conical light distribution, 112° beam angle
- Meanwell driver, 100-260v rated
- 240W (nominal), 235W (act.), 28,000 lm, 119 l.lm/c.W

CONSTRUCTION

- Die-cast aluminium LED and driver housing
- Fully IP65 sealed and supplied with cable gland
- Complete with suspension hook, as shown
- Weight: 6.0Kg

OPTIONS

- **Other wattages.** Other wattages are available. Please check availability before ordering.



The output of the Eugene LED exceeds the **initial** light output of a 400W metal halide high-bay (25,200 lm) by 11%. It exceeds the **mid-life** light output of a 400W metal halide high-bay (which is only 15,120 lm) by over 85%.

ORDER CODE	DESCRIPTION
NEU240/LED/850	EUGENE 240W LED IP65 850